



Kulleġġ San Nikola Skola Sekondarja tan-Naxxar
St. Nicholas College Secondary School Naxxar
Half-Yearly Examinations
February 2016

Track/Level

FORM 3 (1st Year) Subject: Graphical Communication Time: 2 Hours

Name _____

Class _____

Instructions

- Write your name and class on all sheets.
- Attempt **all** questions.
- Questions should be attempted on the pre-printed answer sheets provided
- All answers are to be drawn accurately with instruments, unless otherwise stated.
- All construction lines **MUST** be left on each solution to show the method used.
- Drawing aids may be used.

Information

- All dimensions are in millimetres.
- Estimate any dimension not given.
- Marks will be awarded for accuracy, clarity, neatness and appropriateness of construction.

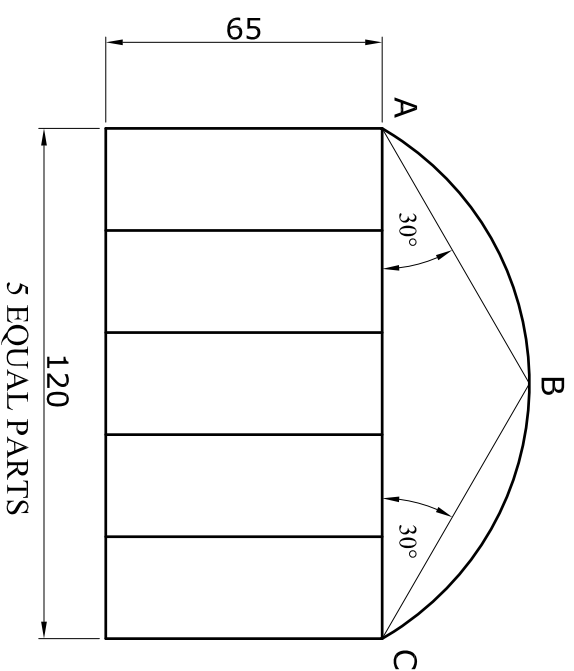
Question	1	2	3	4	5	6	7	Total
Mark allocated	16	16	14	16	8	14	16	100
Marks awarded								

Question 1.

A dimensioned gate is shown on the right. Using the given start line below, **copy the drawing** showing all the necessary constructions:

- to **divide** the 120mm side into **5 equal parts**, and
- to **circumscribe** the circle around triangle ABC (first draw the triangle).

16 Marks

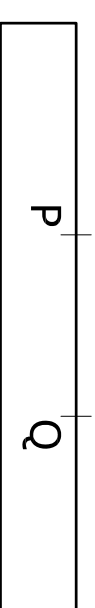
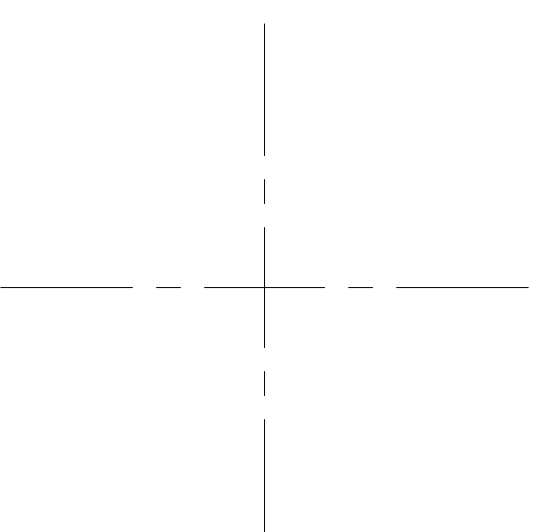
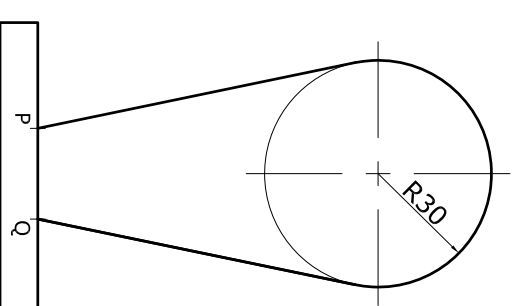


Question 2.

The drawing on the right shows a trophy. By using the given dimension **draw** the missing arc and **construct** the tangents on the start lines provided below.

Note: P and Q are the points outside the circle.

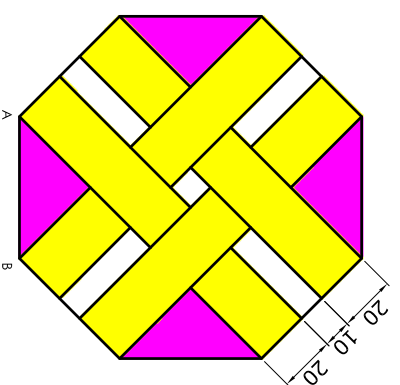
16 marks



Question 3.

The drawing on the right shows the elevation of a **decorative pattern**.
On the given start lines complete the drawing by:

- i) constructing the **octagon** starting from base AB.
- ii) completing the **pattern** as shown.
- iii) shade your **pattern** with colours.



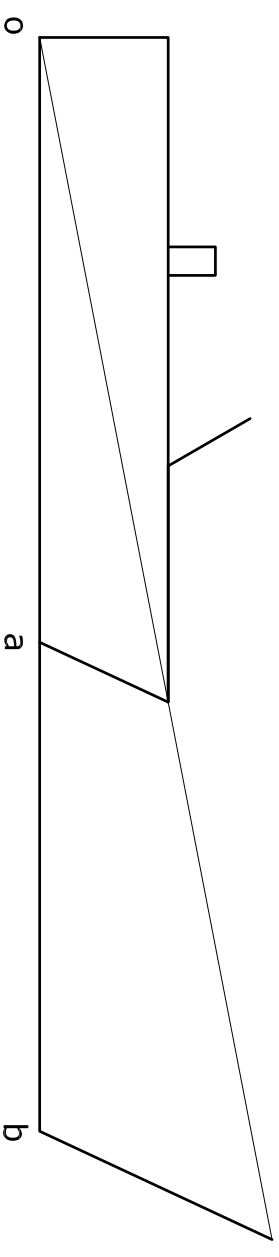
14 marks

Question 4.

Below a pictogram of a boat is given. **By using the radial method, enlarge the pictogram** such that **oa** increases to **ob**.

Note: Use 'o' as the pole.

16 marks



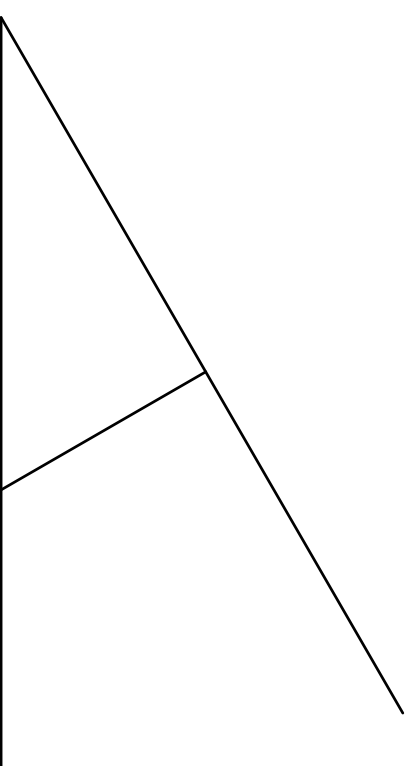
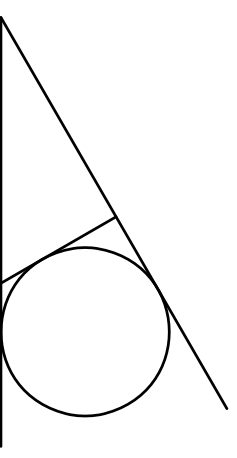
Question 5.

The figure on the right shows an **escribed circle**.

Complete the drawing given below **by escribing the circle**.

Show **all** construction.

8 marks



Question 6.

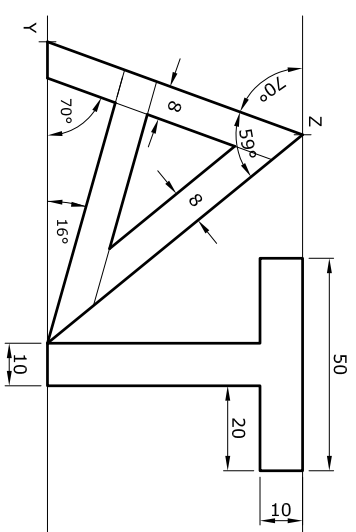
The logo for a new company is shown on the right.

Construct the logo by using the given dimensions.

Notes:

- Start by drawing the outer triangle. Point 'Y' is the starting point of the triangle.
- Then, draw the inner part.
- Continue with drawing the letter T.

14 marks



Z

Y

Question 7.

On the right a pattern is given.

- Use your **45° set-square** to **construct** the given pattern in the space below.
- Shade** it as shown.

16 marks

