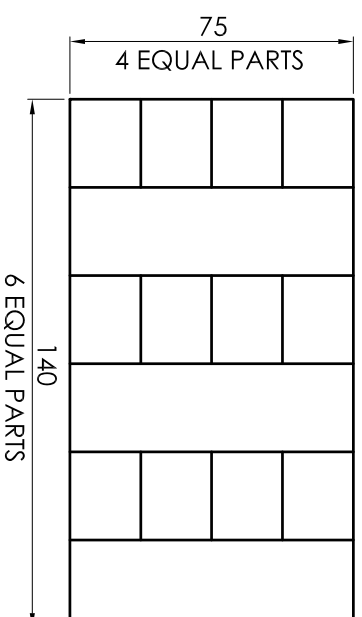


**Question 1.**

A dimensioned pattern is shown on the right. Using the given start line below, **copy the drawing** showing all the necessary constructions:

- to **divide** the 140mm side into **6 equal parts**, and
- to **bisect** the 75mm side into **4 equal parts**.

**16 Marks**

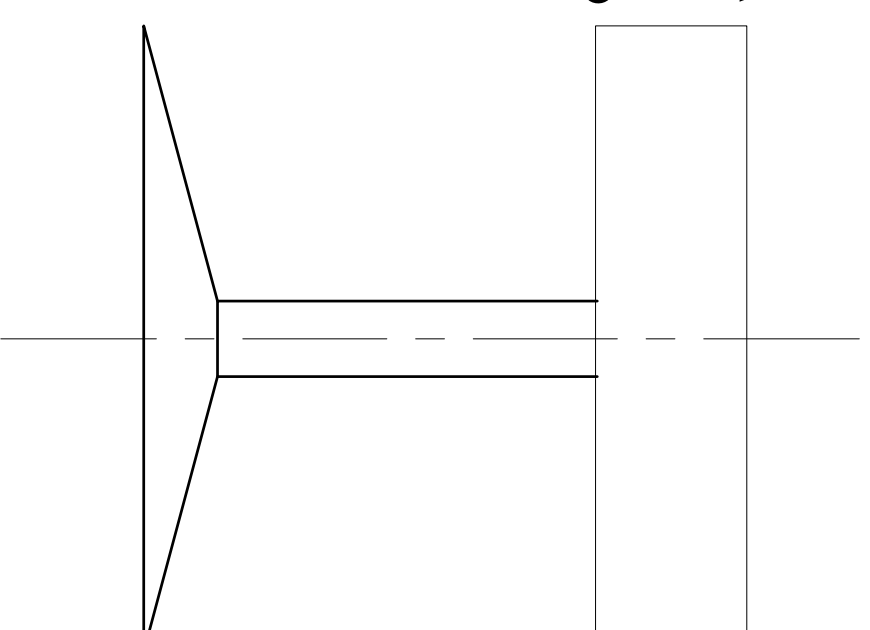
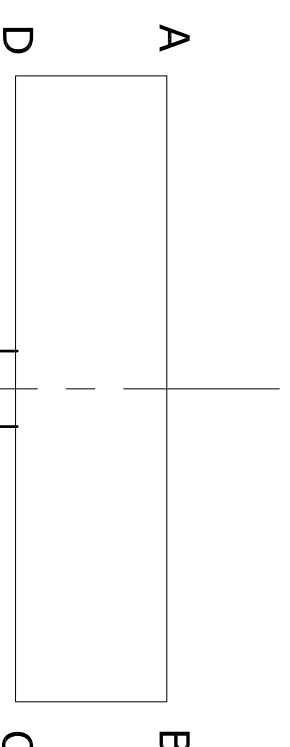
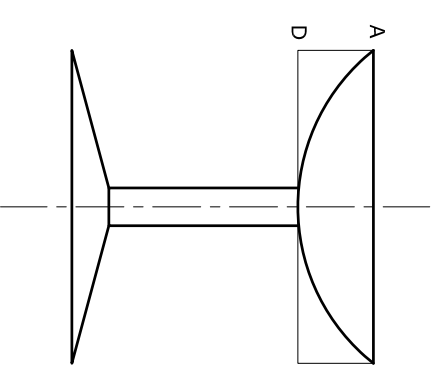


**Question 2.**

The figure on the right shows a **toy glass**. By using the given start lines (ABCD) complete the drawing.

**Note:** Show clearly how the centre of the arc is obtained by using the **3 point circle method**.

**14 marks**



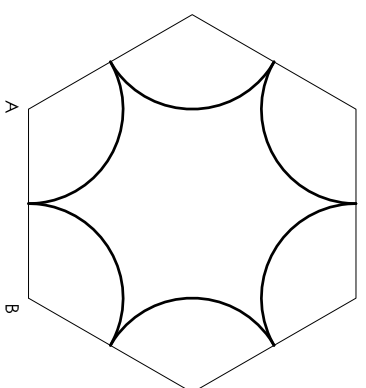
\_\_\_\_\_

**Question 3.**

The drawing on the right shows the elevation of a **decoration**.

On the given start lines complete the drawing by:

- i) constructing the **hexagon** starting from base AB.
- ii) completing the **drawing** as shown.



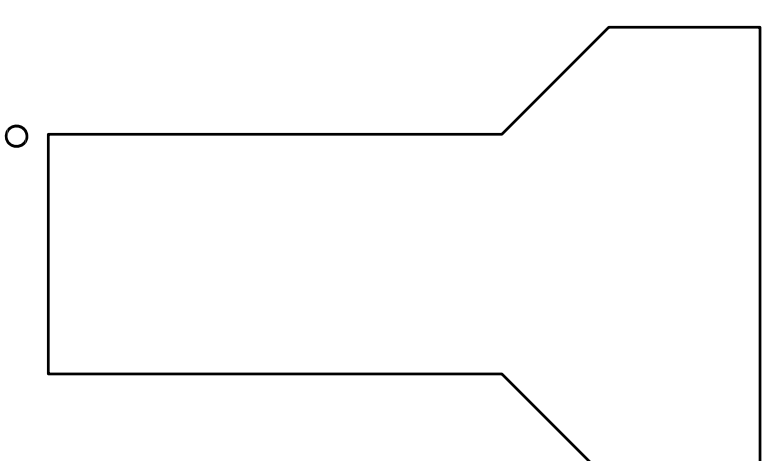
**12 marks**

**Question 4.**

The figure below shows the profile of a torch. **By using the radial method, enlarge the profile** in the ratio of 3:2.

**Note:** Use 'o' as the pole.

**16 marks**



**Question 5.**

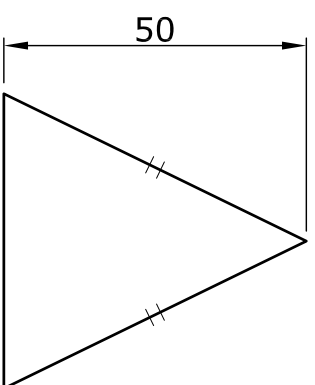
An **Isosceles** triangle is shown on the right.

Construct the triangle which has a perimeter of 160mm and a vertical height of 50mm.

**Notes:**

- Start by drawing the perimeter as a horizontal line.
- Then, mark the vertical height.
- Continue with constructing the triangle.

**10 marks**

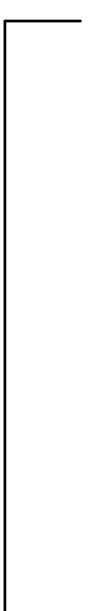
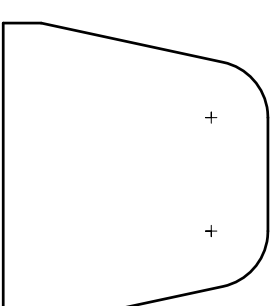


**Question 6.**

The drawing on the right shows a metal template. Draw the missing arcs and construct the tangents on the start lines provided below. Use the following dimension:

Radius of circles = 15 mm

**16 marks**



**Question 7.**

On the right a pattern is given.

i) Use your **30°/60° set-square** to **construct** the given pattern in the space below.

ii) **Shade** it as shown.

**16 marks**

